



**OVI+ is used for determination of voltage presence and absence in Medium Voltage equipment according to IEC 61243-5 standard.**

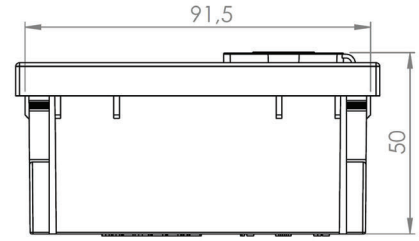
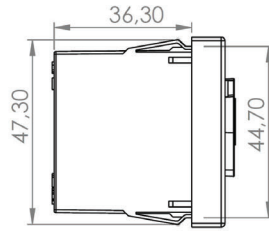
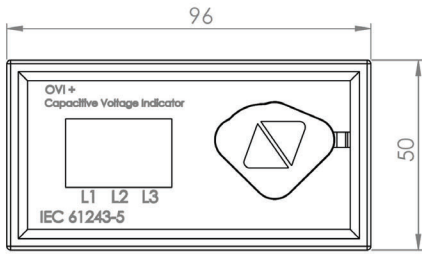
## Features

- IEC 61243-5 compliant
- LRM type
- Easy for installation and maintenance
- 4 testing points for measuring at front panel
- No auxiliary power is needed for voltage detection
- 3 Phase LCD Display
- AMP connection available as an option. Please specify before your order.

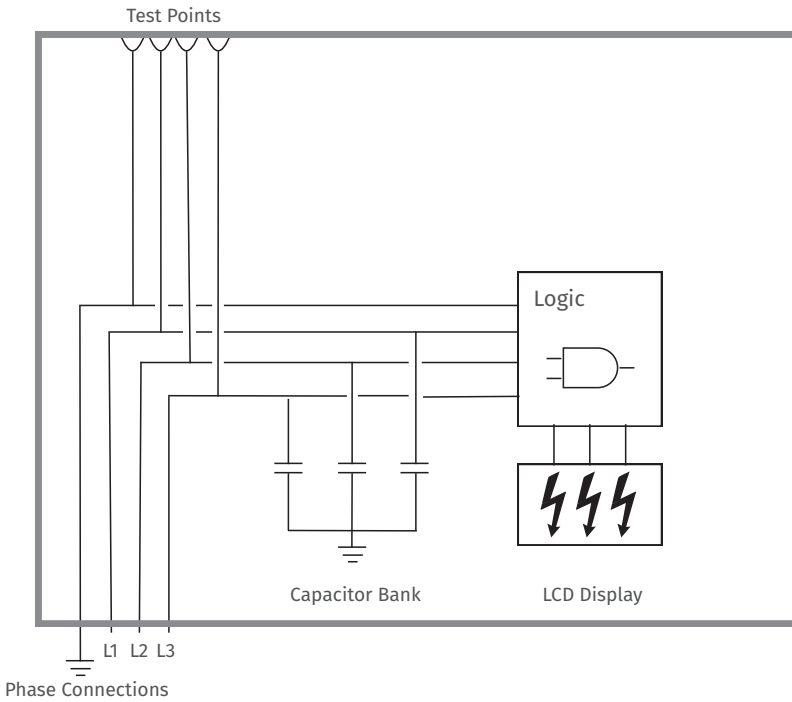
## Technical Parameters

<b>Rated Frequency</b> 50Hz or 60Hz	<b>Protection Class</b> IP42
<b>Threshold Voltage</b> 10% to 45%Un	<b>Connection Leads</b> 4.8 x 0.8mm faston terminal
<b>Operating Temperature</b> -25°C to +55°C	<b>Dimension</b> 96 x 50 x 49mm
<b>Storage Temperature</b> -30°C to 80°C	<b>Cutting Size</b> 92 x 45mm

# Technical Drawings



## Connection Diagram



## Required data for order

- ✓ Capacitance of coupling electrode C1
- ✓ Cable type and length
- ✓ Rated voltage  $U_n$