



OVI+R is used for the determination of the presence and absence of voltage in Medium Voltage equipment according to the IEC 62271-213:2021 standard.

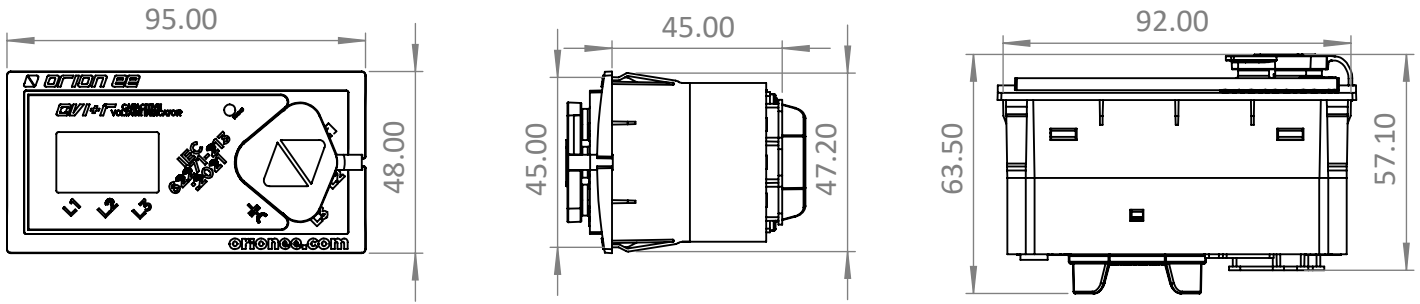
Features

- IEC 62271-213:2021 compliant
- Easy for installation and maintenance free
- No auxiliary power is needed for voltage detection
- 3 Phase LCD display
- Testing points for measuring at front panel
- Variable capacitor module (optional)
- 2xAMP connections (optional)
- Wide auxiliary power supply range
- Change-over contact for status monitoring
- 1 LED indicator for power supply

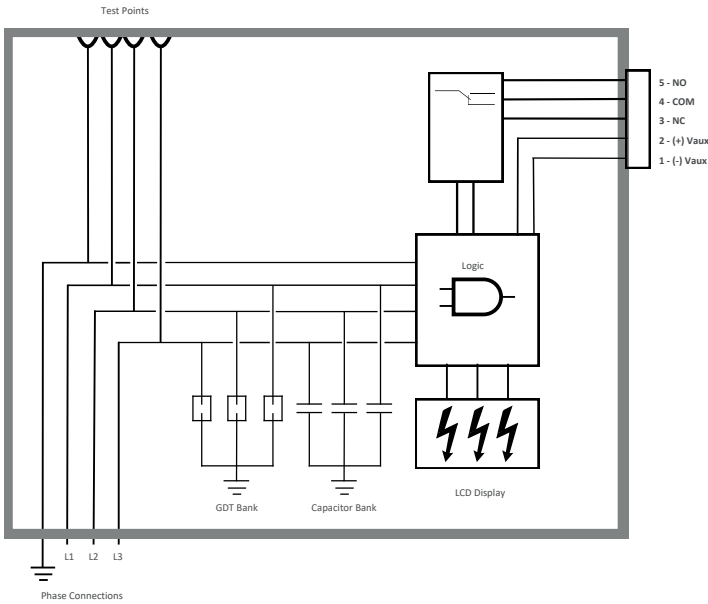
Technical Parameters

Rated Frequency Range 50 - 60 Hz	Protection Class IK07 / IP54 (Front)	Contact Ratings 5A-250V _{AC} or 5A-30V _{DC} with resistive load
Threshold Voltage 10% to 45%U _n	Connection Leads 4.8 x 0.8mm faston terminal&	Dimensions 95.0 x 48.0 x 63.5mm max.
Operating Temperature -40°C to +70°C	Auxiliary Power Supply 24 - 230V AC/DC	Cutout Size 92 x 45mm
Storage Temperature -40°C to +85°C	Power Consumption Less than 2W	Weight 160g max.

Technical Drawings



Connection Diagram



Contact Status

Auxiliary Power Supply	Phase Voltage	Contact Status	
		TYPE	
		A	B
Off	For any status		
On	All phases < 10%U _n		
On	At least one phase > 45%U _n		

Required data for order

✓ Capacitance of coupling electrode C1 ✓ u

✓ Nominal voltage U_n