



OVI+ is used for the determination of the presence and absence of voltage in Medium Voltage equipment according to the IEC 62271-213:2021 standard.

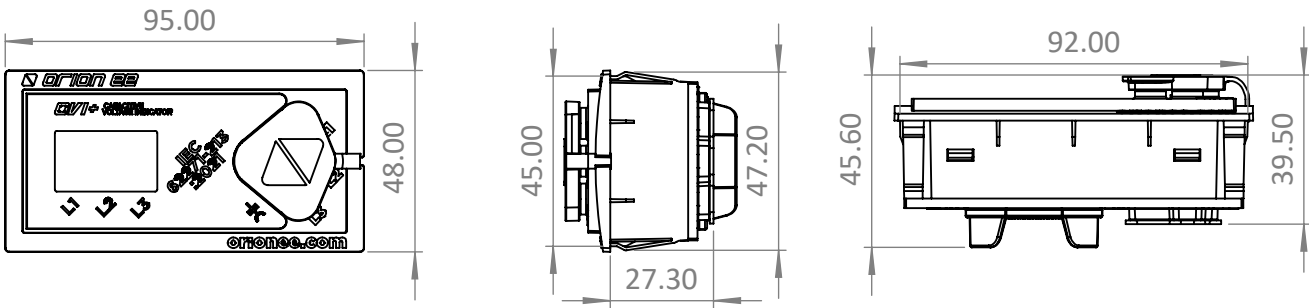
Features

- IEC 62271-213:2021 compliant
- Easy for installation and maintenance free
- No auxiliary power is needed for voltage detection
- 3 Phase LCD display
- Testing points for measuring at front panel
- Variable capacitor module (optional)
- AMP connection (optional)

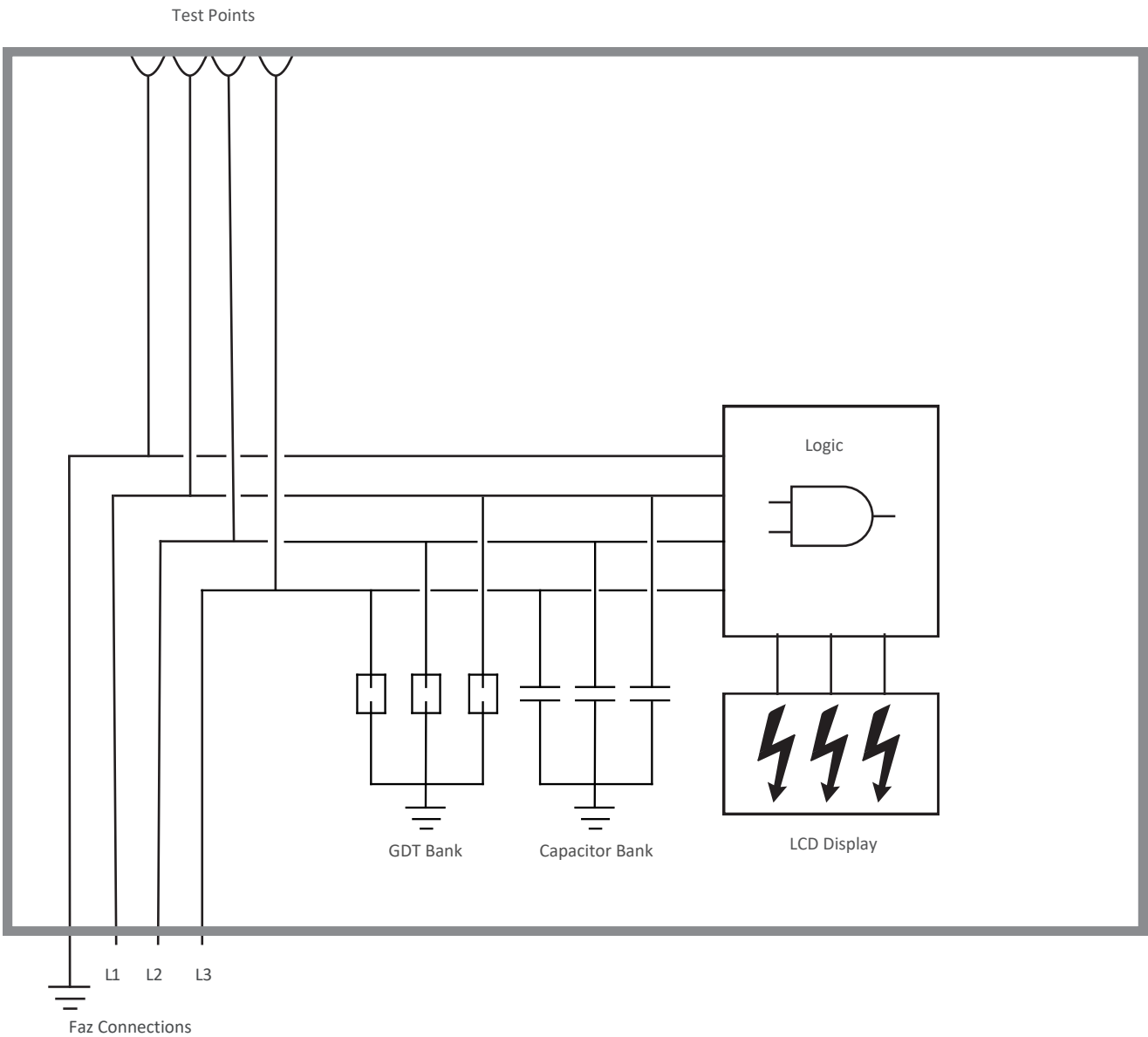
Technical Parameters

Rated Frequency Range 50 - 60Hz	Protection Class IK07 / IP54 (Front)
Threshold Voltage 10% to 45%U _n	Connection Leads 4.8 x 0.8mm faston terminal&
Operating Temperature -40°C to +70°C	Cutout Size 92 x 45mm
Storage Temperature -40°C to +85°C	Weight 95g max.

Technical Drawings



Connection Diagram



Required data for order

- ✓ Capacitance of coupling electrode C1
- ✓ Type, length and unit capacitance of cable
- ✓ Nominal voltage U_n