



F-Sense is designed to detect phase and earth faults in Medium Voltage electricity network.

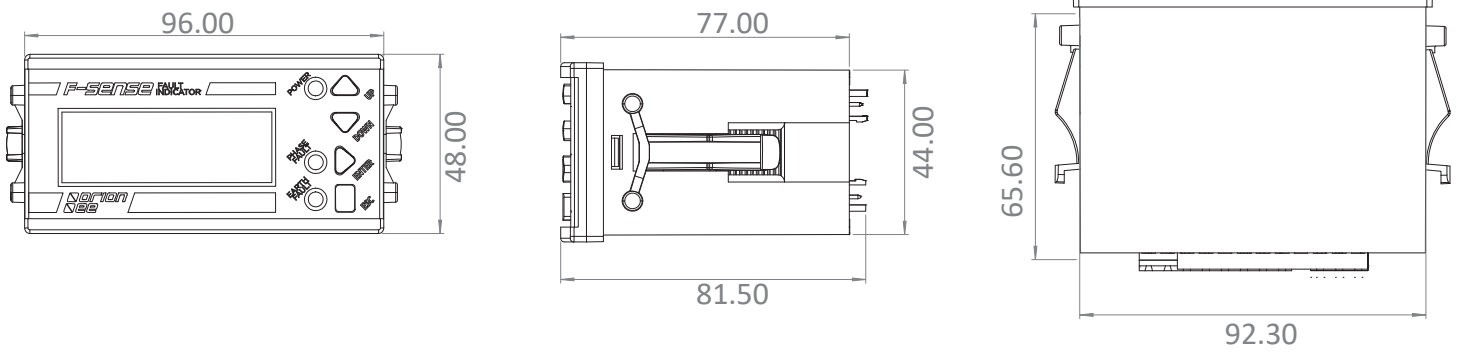
Features

- TEDAS-MLZ/2022-043.B compliant
- Phase and Earth Faults Detection
- Instantaneous Current Measurement and Monitoring
- Fault Reports Memory
- Buttons for Configuration
- 3 Separate Reset Options
- MODBUS Communication
- Password for Configuration Protection
- Language Options
- 2 Contacts for Fault Monitoring
- Wide Auxiliary Power Supply Range
- Built-in Power Source
- No auxiliary power is needed for Fault Monitoring
- Manual Shutdown
- LCD Display
- LED indicator for Power Supply
- 2 LED indicator for Faults

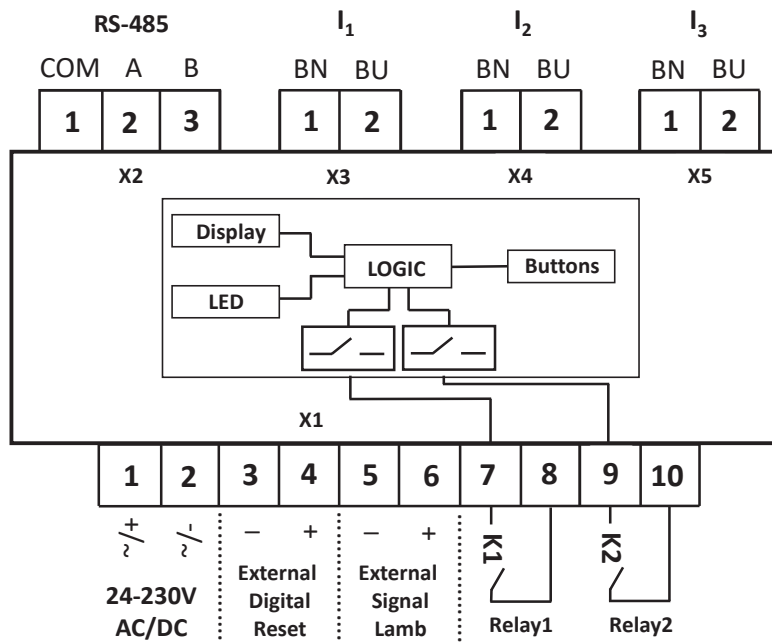
Technical Parameters

Rated Frequency Range 50/60Hz	Phase Fault Duration 40ms-520ms / Value-Adjustable 20ms	Contact Ratings 5A-277V _{AC} or 3A-30V _{DC} with resistive load
Substation Medium Voltage	Earth Fault Duration 40ms-520ms / Value-Adjustable 20ms	Auxiliary Power Supply 24-230V AC/DC
Accuracy ±1.5%	Automatic Reset 0-24h / Value-Adjustable 1min	Power Consumption Less than 2W
Insulation Level 2kV (50Hz - 1 min) - 4kV (Impulse)	Manual Reset Instantly from the Interface	Rechargeable Lithium Battery 900 mAh - 3.7V
Fault Reports up to 20 Reports	External Digital Reset Delay 0-99s / Value-Adjustable 1s	Dimension 96 x 48 x 82mm
Communication Protocol RS-485/Modbus RTU	Operating Temperature -25°C to +55°C	Cutout Size 93 x 45mm
Phase Fault Settings 50A-600A / Value-Adjustable 50A	Storage Temperature -30°C to +70°C	Weight 180g
Earth Fault Settings 20A-300A / Value-Adjustable 20A	Protection Class IK-07 / IP40	External Signal Lamp Indication Flashing Period from 1.5s to 3.0s

Technical Drawings



Connection Diagram



Accessories

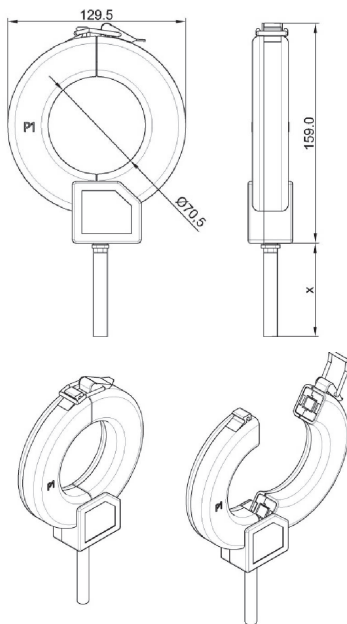
External Signal Lamp

The external signal lamp is supplied by F-Sense Fault Indicator. The external signal lamp and the fault LEDs on the device flash at the same time as soon as the fault is detected by the device.

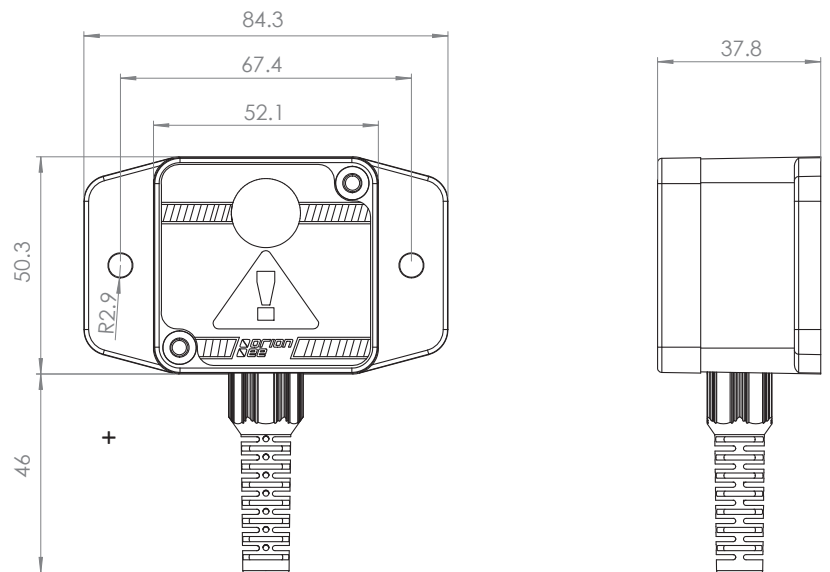
Power Supply	IP Code
Connect to Device	65

Current Transformer

Type	Conductor ϕ [mm]	Cable Length [m]	Primary Current [A]	Secondary Voltage [mV]	Accuracy Class
Clamp	Up to 70	5.0	630	225	0.5



Physical Dimension of Current Transformer (Unit: mm)



Physical Dimension of External Signal Lamp (Unit: mm)

Required data for order

- ✓ Current Transformers Cable Length