

Phase Sync

Phase Comparator



Phase Sync is a phase comparator device that used for comparison of phase and determination of voltage presence or absence in Medium Voltage equipment according to IEC 62271-215:2021 by means of its measuring points.

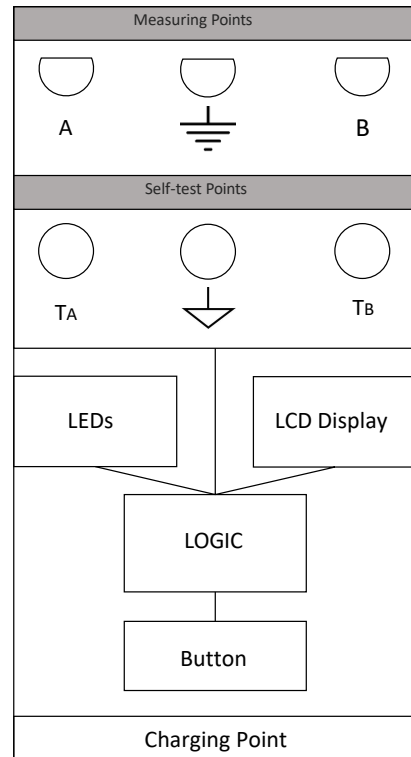
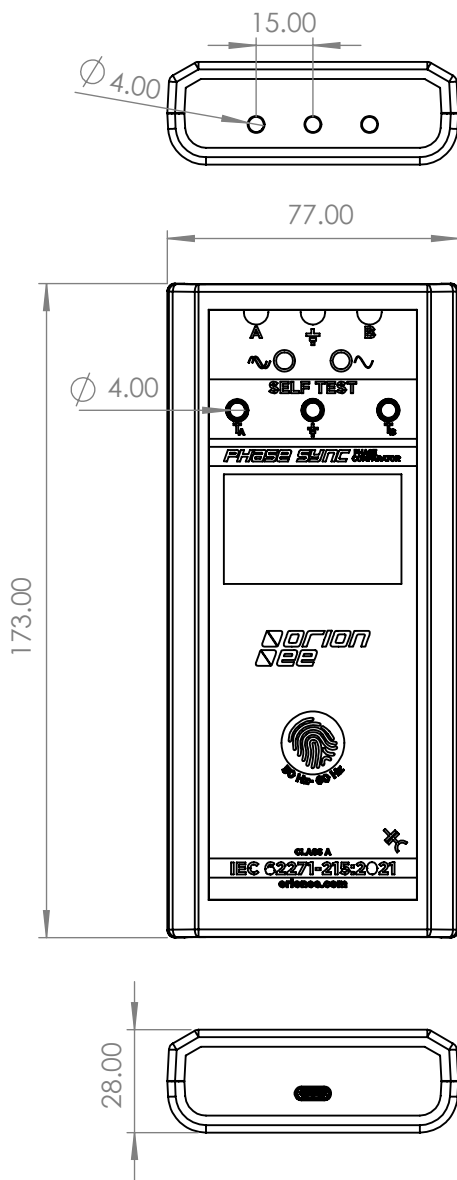
Features

- IEC 62271-215:2021 compliant
- Simultaneous connected operation with one earth connection
- LCD display for comparison of phases, voltage presence, frequency, battery status
- Easy to use and maintenance free
- Built-in power supply
- Frequency adjustment
- Function test with Self-test points
- Type-C connection for recharge to device
- Phase comparison by LEDs
- Manual or automatic shutdown

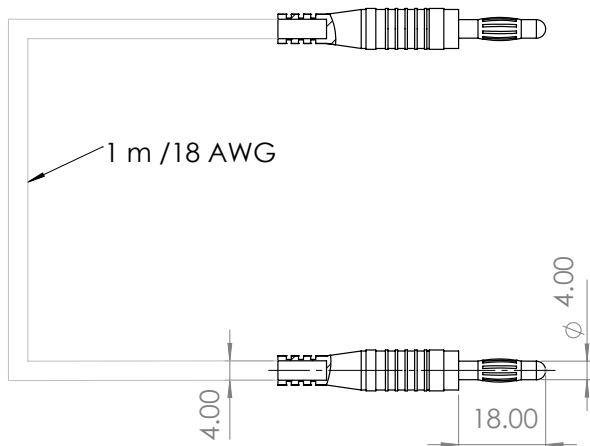
Technical Parameters

Type of VDIS Capacitive	Indicators LCD and 2 LEDs	Connection Leads 4mm (Banana Plug)
Rated Frequency 50 – 60Hz	Frequency Adjustment Short press on the button	Power Supply 3.7V / 900mAh (14500, AA Li-ion)
Threshold Voltage 10% – 45%U _n	Automatic Shutdown 10 min	Charge Interface Type-C with 5 V _{DC}
Classification Class A	Manual Shutdown Long press on the button	Protection Class IP 2X / IK 07
Threshold Parameter $10^\circ < \phi_p \leq 30^\circ$	Operating Temperature -25°C to +55°C	Weight 250g
Maximum Measuring Voltage 60 V _{AC} *	Storage Temperature -30°C to +70°C	Dimensions 173 x 77 x 28 mm

*Do not connect on the live line.



Cable Technical Drawing



Accessories

- Carrying Bag (Optional)
- 3 Test Cables
- Charging Cable