



OVI+S is used for determination of voltage presence and absence in Medium Voltage equipment according to IEC 62271-213:2021 standard.

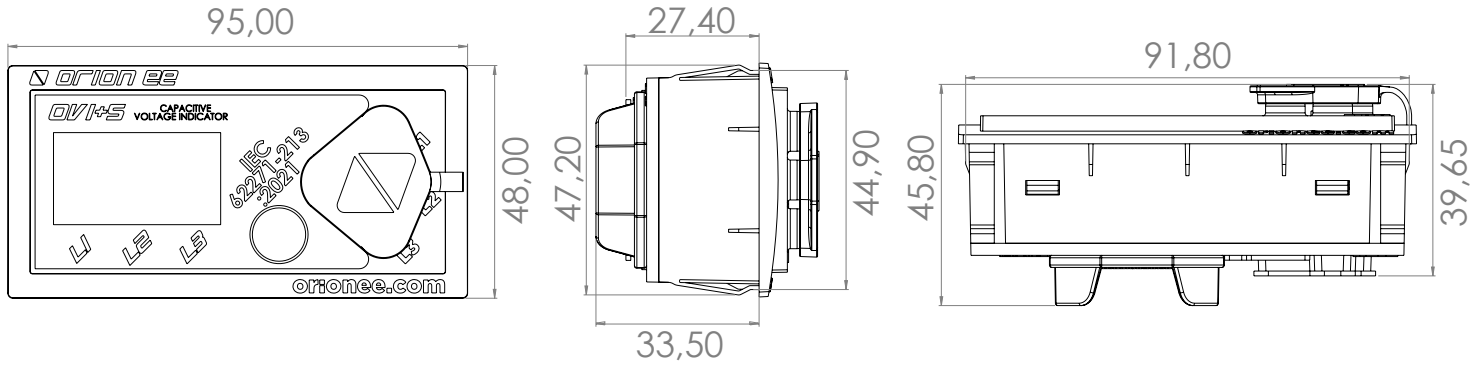
Features

- IEC 62271-213:2021 compliant
- Easy for installation and maintenance free
- No auxiliary power is needed for voltage detection
- 3 Phase LCD with bigger screen
- Testing points for measuring at front panel
- Overvoltage Indication
- 2 AMP connections (optional)
- 2 Stage of indication
- Integrated test point, display test function without any auxiliary power
- Variable capacitor module (optional)

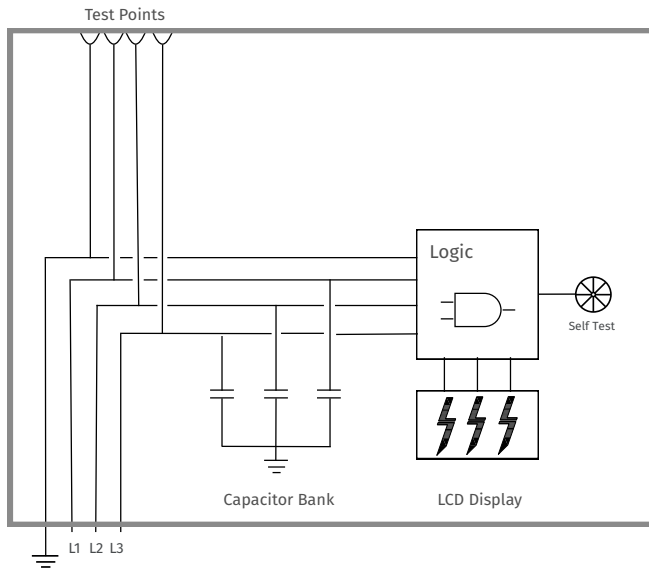
Technical Parameters

Rated Frequency 50Hz or 60Hz	Protection Class IP54 (Front)
Threshold Voltage 10% to 45%Un	Connection Leads 4.8 x 0.8mm faston terminal & AMP Plug
Operating Temperature -40°C to +70°C	Cutting Size 92 x 45mm
Storage Temperature -40°C to 85°C	Weight 95 g

Technical Drawings



Connection Diagram



Phase Connections

Indication Status

Indication of LCD	Indication during normal operation		C ₂ Module with nominal voltage	Indication with pressed test button
	Definition	Explanation		
	Overvoltage	$U \gg 1.2xU_n$	C ₂ module < Min.	Test OK
	Nominal Voltage Present	$U > 0.45xU_n$	C ₂ module correct	Error
	Voltage Present	$0.1xU_n < U < 0.45xU_n$	C ₂ module > Max.	Error
No Indication	Voltage not present	$U < 0.1xU_n$	C ₂ module \gg Max.	Error

Required data for order

- Capacitance of coupling electrode C1
- Cable type and length
- Rated voltage U_n