

Three LEDs on the CDS series voltage indicators directly allow you to see if any voltage is present or absent in the system with a quick look according to IEC61243-5 standard.



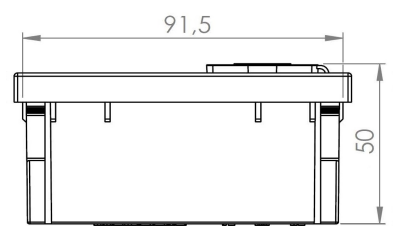
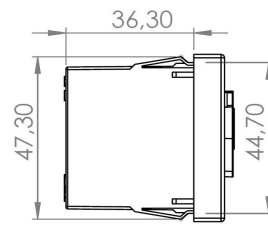
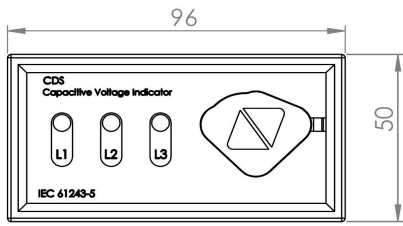
## Features

- IEC 61243-5 compliant
- HR type
- Easy for installation and maintenance
- No auxiliary power is needed for voltage detection
- 3 Phase flashing LED indication
- 4 testing points for measuring at front panel

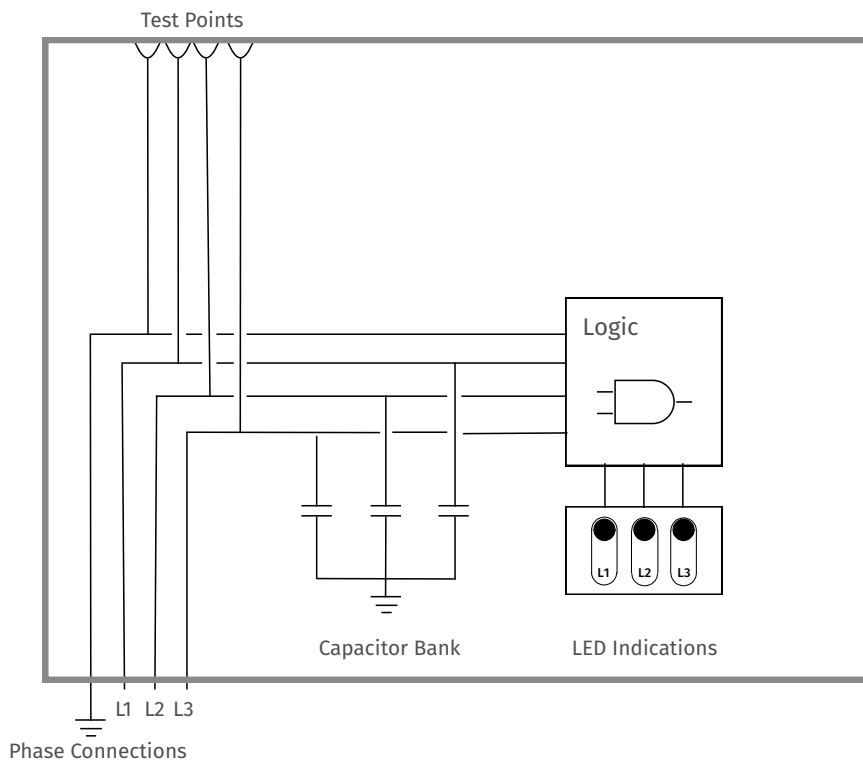
## Technical Parameters

|  |  |
|--|--|
| <b>Rated Frequency</b><br>50Hz - 60Hz          | <b>Protection Class</b><br>IP42                    |
| <b>Threshold Voltage</b><br>10% to 45%Un       | <b>Connection Leads</b><br>4.8 x 0.8mm faston term |
| <b>Operating Temperature</b><br>-25°C to +55°C | <b>Dimension</b><br>96 x 50 x 49mm                 |
| <b>Storage Temperature</b><br>-30°C to 80°C    | <b>Cutting Size</b><br>92 x 45mm                   |

# Technical Drawings



# Connection Diagram



# Required data for order

✓ Capacitance of coupling electrode C1

✓ Cable type and length

✓ Rated voltage  $U_n$